

Specifications

System Architecture	
Processor	Intel® Celeron® Processor N3350 1.10 GHz, dual core, up to 2.4 GHz Intel® Pentium® Processor N4200 1.10 GHz, quad core, up to 2.5 GHz
Operating System	Windows® 10 IoT Enterprise SAC
Memory	Onboard DDR3L 4GB (Default)/8GB
Storage	eMMC 64GB (Up to 256GB, Optional)
Display	10.1" WXGA (1280 x 800) 800 nit/300 nit TFT LCD with Projected Capacitive Multi-Touch Screen
I/O Port	Micro HDMI Port x 1 SIM Card Slot x 1 MicroSD Card Slot x 1 Audio Jack x 1 (3.5mm) USB 3.2 Gen 1 x 2 (USB Type-C x 1), USB 2.0 x 2 DC-in Jack x 1 RS-232/422/485 COM Port x 1 10/100/1000 Base-T RJ-45 x 1 Smart Card Reader x 1 (Optional, Without IP protection)
Communication	Wi-Fi 802.11 a/b/g/n/ac, Bluetooth v5.1 (EDR + BLE), Intel AC9260
Navigation	Up to 3 GNSS, GPS + Galileo (Default), GLONASS, BeiDou (Optional)
WWAN(optional)	LTE via Mini Card slot (Optional)
Camera	2MP Front Camera 8MP Rear Camera with flash
Sensor	G-sensor, E-compass, Gyro-sensor, Light-sensor
Expansion Slot	Inside M.2 slot x 1 (For WiFi module) Mini-card slot x 1 (For LTE module) Docking connector: USB 2.0 x 1

Features

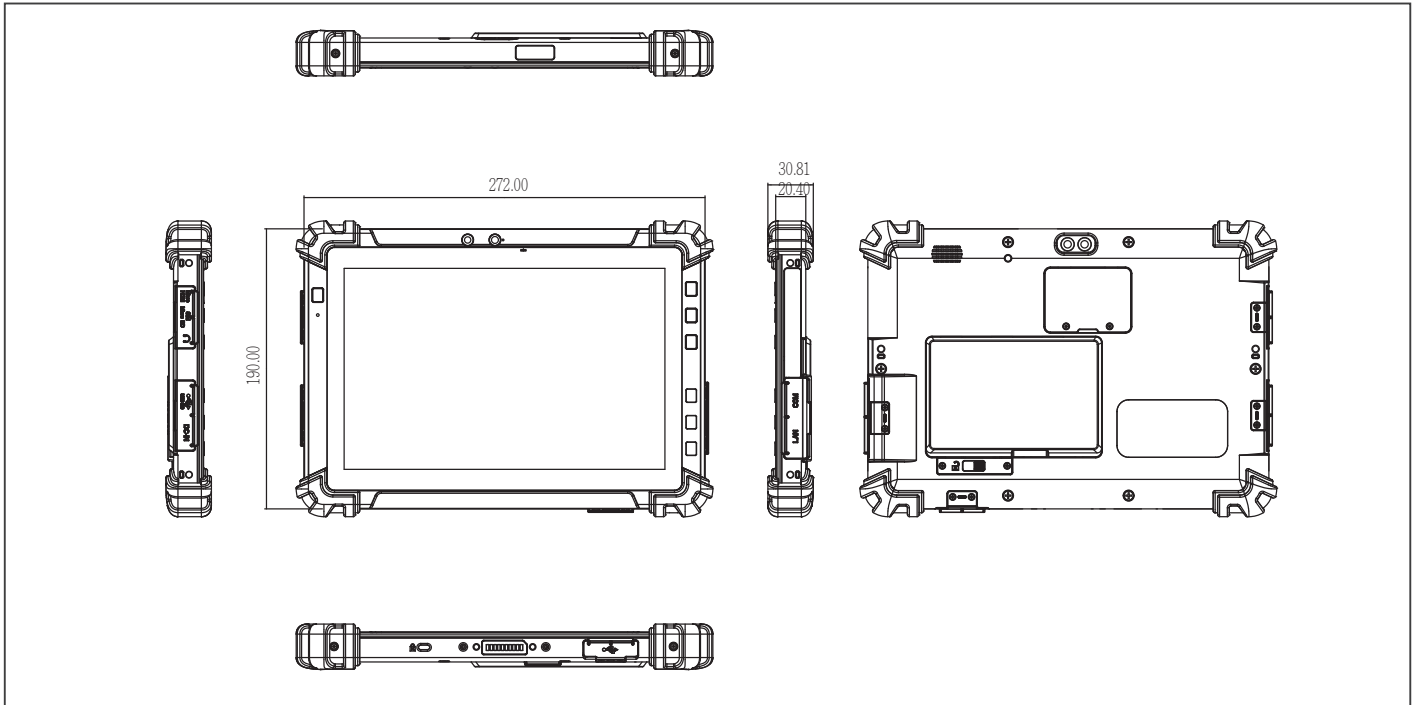
- 10.1" WXGA (1280 x 800) 800 nit/300 nit TFT LCD
- Intel® Celeron® Processor N3350 1.10 GHz, dual core, up to 2.4 GHz (Optional: Intel® Pentium® Processor N4200)
- Onboard DDR3L Memory, 4GB (Default)/8GB
- eMMC 64GB (Up to 256GB, Optional)
- Wi-Fi 802.11 a/b/g/n/ac, Bluetooth 5.1, LTE (Optional)
- 2MP Front and 8MP Rear Camera
- RS-232/422/485 COM Port + 10/100/1000 Base-T RJ-45
- USB 3.2 Gen 1 x 2 (USB Type-C x 1), USB 2.0 x 2
- 2D Barcode Scanner & Smart Card Reader/HF RFID (NFC) Reader (Optional)
- Up to 3 GNSS, GPS + Galileo (Default), GLONASS, BeiDou (Optional)
- One Hot-swappable Battery + Internal Battery, up to 44W Capacity
- MIL-STD-810G, IP65 Compliant, Drop 122cm
- Function Key: F0, F1, F2, F3, Volume Up/Down, With LED Illumination
- Windows® 10 IoT



Barcode Scanner (Optional)	2D Barcode scanner, OPTICON MDI-4100-USB (Optional)
HF RFID (Optional)	ISO 15693 (R/W), ISO 18092 (R/W), ISO 14443-A (R/W), ISO 14443-B (Only Read UID), Depend on card type
Audio	Speaker x 1
Physical Key	F0 or Windows (Windows Start Key), F1 (BCR Trigger Button (When BCR is enabled)), F2 (Screenprint), F3 (Ctrl+Alt+Del as Soft Reboot), Volume Up (Speaker Volume Up), Volume Down (Speaker Volume Down)
Mechanical	
Color	Black & Dark Grey
Dimension (W x H x D)	10.71" x 7.48" x 0.80" (272.0mm x 190.0mm x 20.4mm)
Gross Weight	2.2 lb. (1.0Kg) based on configurations
Environmental	
Operating Temperature	-4°F ~ 122°F (-20°C ~ 50°C)
Storage Temperature	-67°F ~ 158°F (-55°C ~ 70°C)
Humidity	0% ~ 90% relative humidity, non-condensing
Environmental Sealing	IP65
Vibration	MIL-STD-810G-514.6 Procedure I Cat.24, Fig 514.6E-1 & 514.6E-2 (Unit is non-operating) ASTM 4169-99 Truck Assurance Level II, Schedule E (Unit is non-operating)
Drop	MIL-STD-810G-516.6, Procedure IV Drop height: 122 cm Number of Drop: 26 times, for all surfaces, edges and corners Condition: Based on 2" plywood over concrete
Shock	—
ESD	Air charge: +/- 8KV, Contact charge: +/- 4KV
Certifications and Standards	UL60950-1, CE, FCC
Power Supply	
AC / DC Adapter	AC 100V ~ 240V, 50Hz ~ 60Hz, Output: 12V/3A/36W
Battery Life	Li-ion Battery 8-hour battery life based on test configurations
Master Battery	Hot-swappable battery: 14.4V, 2270mAh, 32.7W
Slave Battery	7.4V, 1530mAh, 11.3W
Display	
LCD	10.1" TFT-LCD Display
Resolution	1280 x 800
Maximum Color	16.7M
Dot Size	0.1692mm (H) x 0.1692mm (V)
Brightness	300 nits (800 nits, Optional)
Viewing Angle	Horizontal: 170°, Vertical: 170° (Typical)
Touch Screen	
Touch Type	Projected Capacitive Multi-Touch Screen (PCT)
Light Transmission	Min. 85%

Dimension

Unit: mm



Packing List

- MC-1010
 - 1255300365
AC-To-DC Power Adaptor, 12V, 36W
- *Power cord must be purchased separately.